



Pump Model - version

EUROINOX 50-50 M - N.6. - -

Attention: check the correspondence with the serial number of the pump.

Company Name
Contact
Telephone
FAX
E-Mail address

Receiver

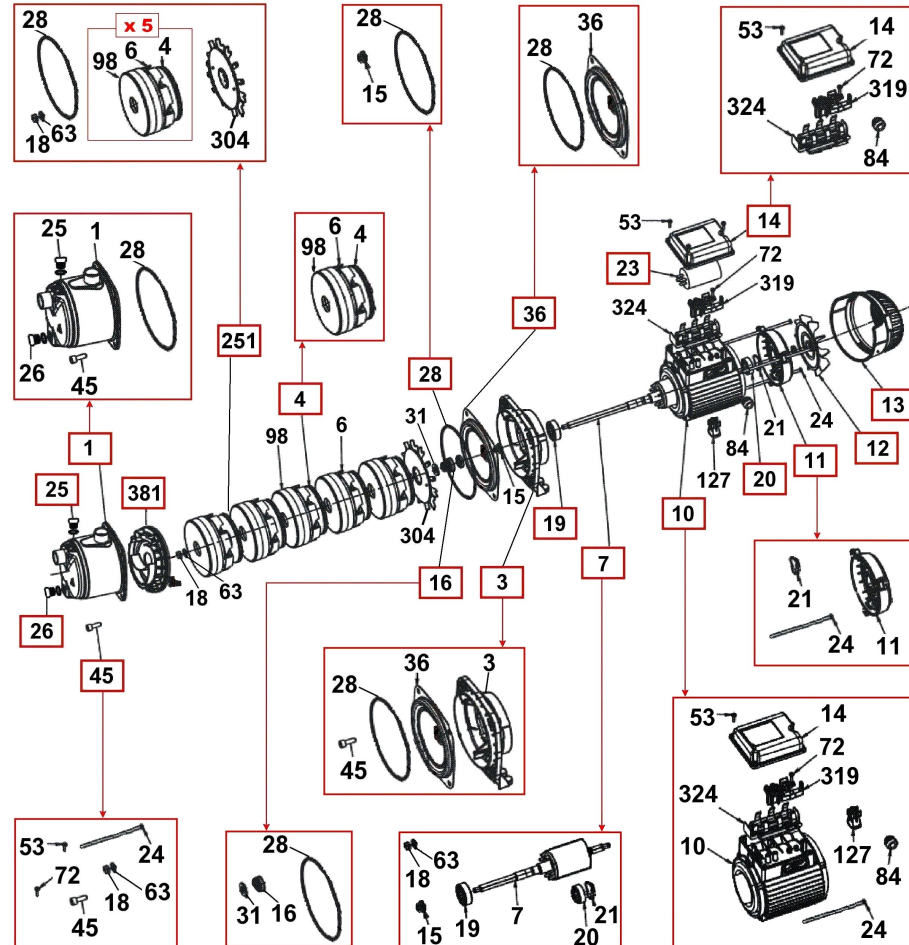
From

Serial Number

EUROINOX 50-50 M - N.6. - - @ 102970300_b

EUROINOX 50-50 M @ 102970300

Item	Quant	Item no.	Description	Unit pr.
1	1	R00005311	PUMP BODY	On req.
13	1	R00004650	FAN GUARD	On req.
12	1	R00005107	FAN	On req.
3	1	R00005150	SUPPORT	On req.
7	1	R00005290	MOTOR SHAFT	On req.
28	1	R00005306	OR	On req.
45	1	R00005314	NUTS AND BOLTS	On req.
19	1	R00005111	FRONT BEARING	On req.
20	1	R00005112	REAR BEARING	On req.
23	1	R00005139	CAPACITOR	On req.
4	5	R00005328	COMPLETE STAGE	On req.
11	1	R00005115	MOTOR COVER	On req.
10	1	R00005141	MOTOR	On req.
16	1	R00005282	SEAL	On req.
14	1	R00004811	TERMINAL BOARD	On req.
36	1	R00004016	MECHANICAL SEAL COVER	On req.
381	1	R00005309	SELF-PRIMING FLANGE	On req.
25	1	R00004017	LOAD PLUG	On req.
26	1	R00004018	DISCHARGE PLUG	On req.
251	1	R00005335	COMPLETE HYDRAULICS	On req.



Project

Project ID

Created by

Created on
2011-01-07

Last update